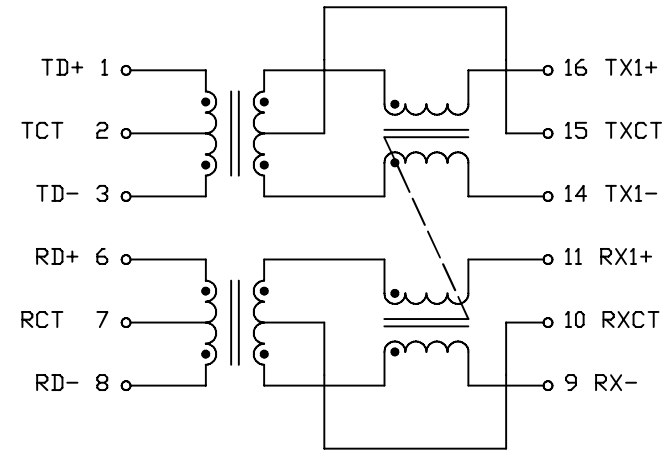


SUGGESTED PAD LAYOUT

UNLESS OTHERWISE SPECIFIED ALL TOLERANCES ARE ± 0.25



ELECTRICAL CHARACTERISTICS :

1. TURNS RATIO : 1CT:1CT
2. DCL (100KHZ/0.1V WITH 8mA/DC BIAS) : 350uH MIN.
3. HI-PDT : 1500Vrms
4. CROSS TALK : 60MHZ = -40 dB MIN.
100MHZ = -35 dB MIN.
5. INSERTION LOSS : 1-100MHZ = -1.2 dB MAX.
6. RETURN LOSS : 1~30MHZ = -16dB MIN.
40MHZ = -14dB MIN.
50MHZ = -13dB MIN.
60~80MHZ = -12dB MIN.
7. DCMRR : 30MHZ = -43dB MIN.
60MHZ = -37dB MIN.
100MHZ = -33dB MIN.
8. ROHS COMPLIANCE

						Atech®		TITLE 10/100 BASE-TX MODULE	
						Atech Technology Co., Ltd. TEL:022794-6667 FAX:022794-8004		DWG. NO. ATPL-046ER	
						UNITS:		SAFETY	
						DATE		SHEET 1 OF 1	
						REVISIONS		DRAW	
NO.	DESCRIPTION	DATE	BY	CHK	APPD				